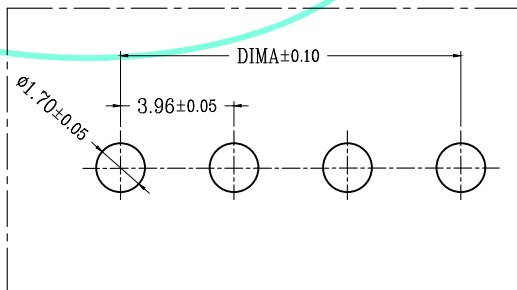
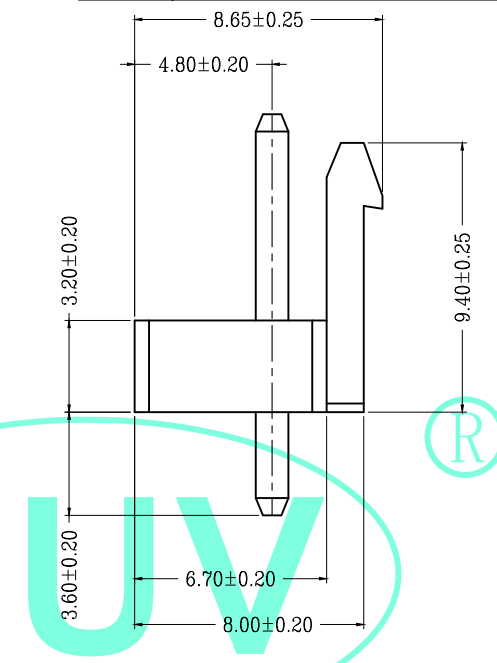
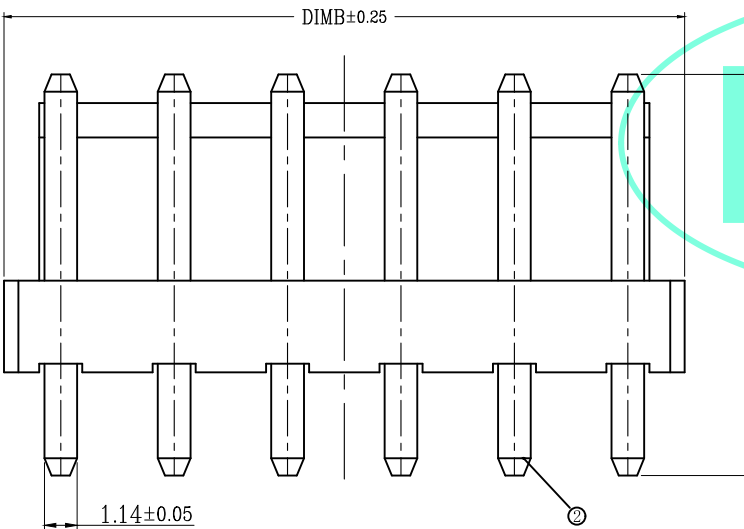
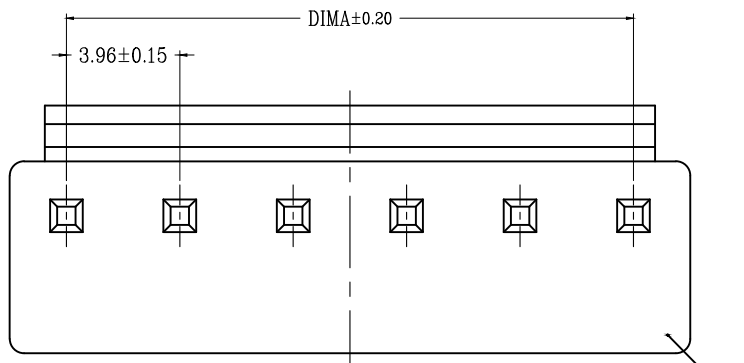


REV. LTR.	DESCRIPTION	APPROVAL	DATE
A2	Update drawing	W. Q. LI	2024. 08. 08



Recommended P.C.B Layout
General Tolerance ±0.05



Outside drawing

Product material No:
EN396VLC-***-***-***

- NO OF Poles
- Terminal Plating
- B=Bright-Tin
- M=Mist-Tin
- G=Gold flash
- Plastic Material
- P=PA66
- T=PA9T
- L=LCP
- Packing
- T=Tube
- B=Bag
- R=Tape&Reel
- Plastic Color
- Y=Faint Yellow
- R=Red
- B=Black
- W=White

Pin number:

Poles	DIM A	DIM B	CKT	DIM A	DIM B
2P	3.96	7.92	9P	31.68	35.64
3P	7.92	11.88	10P	35.64	39.60
4P	11.88	15.84	11P	39.60	43.56
5P	15.84	19.80	12P	43.56	47.52
6P	19.80	23.76	13P	47.52	51.48
7P	23.76	27.72	14P	51.48	55.44
8P	27.72	31.68	15P	55.44	63.36

Specifications:

1. Voltage rating: 250V AC/DC.
2. Current rating: 7.0A AC/DC.
3. Withstanding voltage: 1500V AC/minute.
4. Ambient temperature range: -25 ~ +85°C.
5. Insulation resistance: ≥ 1000MΩ.
6. Contact resistance: ≤ .20mΩ.
7. Applicable wire Sizes: AWG#18 ~ #28.
8. Housing ①: PA66 UL94V-0/米黄色.
9. Upper terminal ②: Brass/Tin Plating.



http://www.euvchn.com		EUV ELECTRONICS CO., LTD 兆進電子有限公司	
30~Above ±0.30	ANGLE: ∠±1°		
10~30 ±0.20	SCALE: 1:1	TITLE	3.96mm Connectors (180° DIP)
5~10 ±0.15	SHEET: 1 OF 1	PART NO.	EN396VLC-***-***-***
0~5 ±0.10	PROJECT	APPROVAL	CHECK
TOLERANCES ARE (UNIT: mm)	SIZE: A4	W. Q. LI	X. H. LIN
			DRAWN
			DATE
			K. J. ZENG
			2024. 08. 08