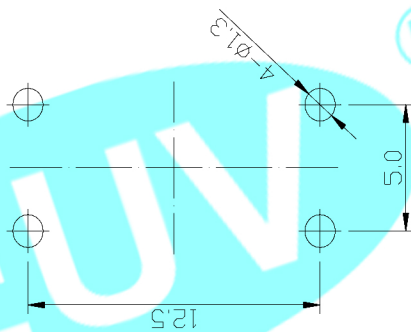
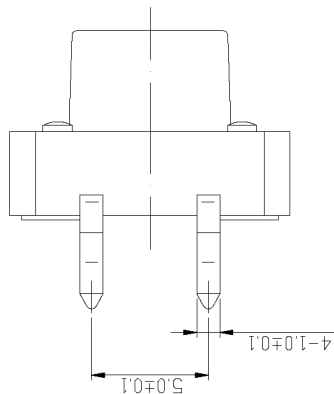
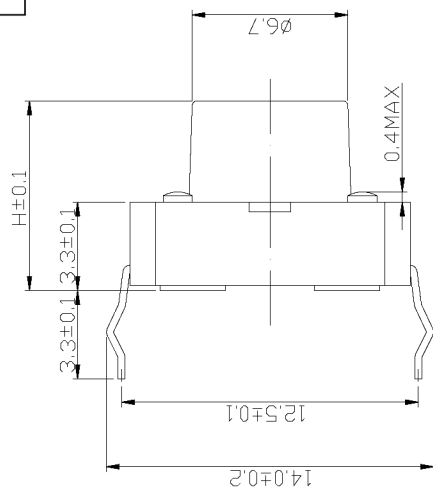
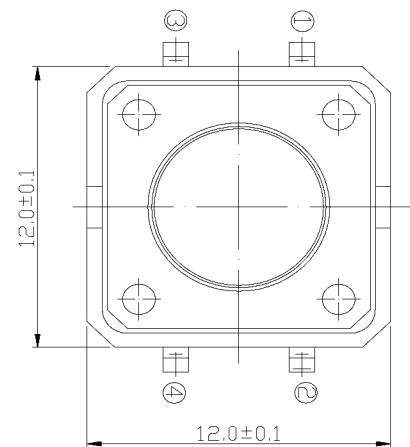
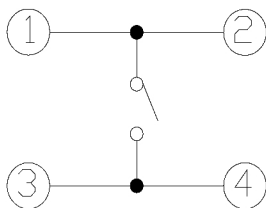


UNIT:mm



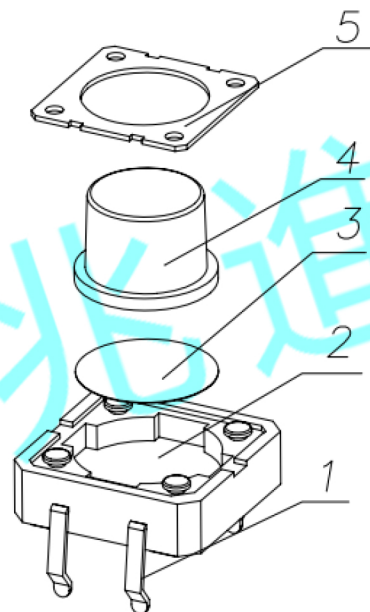
PCB Layout (Pattern side)



Circuit diagram

NO. 2 (UNIT:gf)	
PART NO	VIGOR
1	100±30
2	180±40
3	250±50

NO. 1 (UNIT:mm)			
PART NO	H	PART NO	H
A	4.3	O	11.0
B	4.5	P	11.5
C	5.0	Q	12.0
D	5.5	R	12.5
E	6.0	S	13.0
F	6.5	T	13.5
G	7.0	U	14.0
H	7.5	V	15.0
I	8.0	W	16.0
J	8.5	X	17.0
K	9.0	Y	18.0
L	9.5	Z	19.0
M	10.0	1	15.5
N	10.5	2	16.5



Ordering information:

EAD-131-□ □ □ - □ □ - □

(1) (2) (3) (4) (5) (6) (7)

- (1): Series No.
- (2): Keystone height: Reference No. 1
- (3): Optional knob type: Reference No. 2
- (4): Cover:
A=SPPC-SD, Bb=BrassH62T, S=SUS301
- (5): Contact:
D=phosphor bronze (Ag)
E=SUS301 (Ag)
- (6): Material color:
B=Black, R=Red, W=White
- (7): Packing mode:
B=Bag Packing
T=Tape&Reel Packing

ITEM	PART NAME	QAY.	MATERIAL	FINISHING	NATIONALITY
⑤	Terminal	1	SPCC	Silver plated	China
④	Brse	1	PPA	Black	U. S. A
③	Contact	1	Phosphor bronze (Ag)	Silver plated	China
②	Keystoke	1	PPA	Black	U. S. A
①	Couer	4	BrassH62T (t0.3)	Plating Nichel	China

- Specification:
- Rating: DC 12V 50mA.
 - Contact resistance: ≤50mΩ.
Insulation Resistance: ≥100MΩ.
 - Travel: 0.25±0.1mm.
 - Operating Force: 1=100gf, 2=180gf, 3=250gf ± 50gf.
 - Operating Life: 100,000 cycles min.
 - Operation temperature range: -20℃ ~ 70℃.
 - Preservative temperature range: -20℃ ~ 85℃.

APPROVALS		DATE		EUV® DONG DUAN EUV ELECTRICS CO., LTD. 東莞市兆進電子有限公司	
DRAWN:	Jun Wu	14/07/2018		FILE No.	EAD1310300001
CHECKED:	Quanfa Yao	14/07/2018		TITLE	DIP Tact Switch
APPROVALS: Wangqiang Li		14/07/2018		PART NO.	EAD-131
TOLERANCES ARE (UNIT:mm)		LINER TOL. (<6mm)=±0.10 LINER TOL. (=6~100mm)=±0.15 LINER TOL. (=100~300mm)=±0.20 LINER TOL. (=300~600mm)=±0.25		SCALE:	1:1
PROJ:				ANGLE:	∠ ± 2°
				SHEET:	1 OF 1

REV. LTR.	DESCRIPTION	DRAWN	DATE
A1	Thenew release	Wangqian Li	12/07/2018